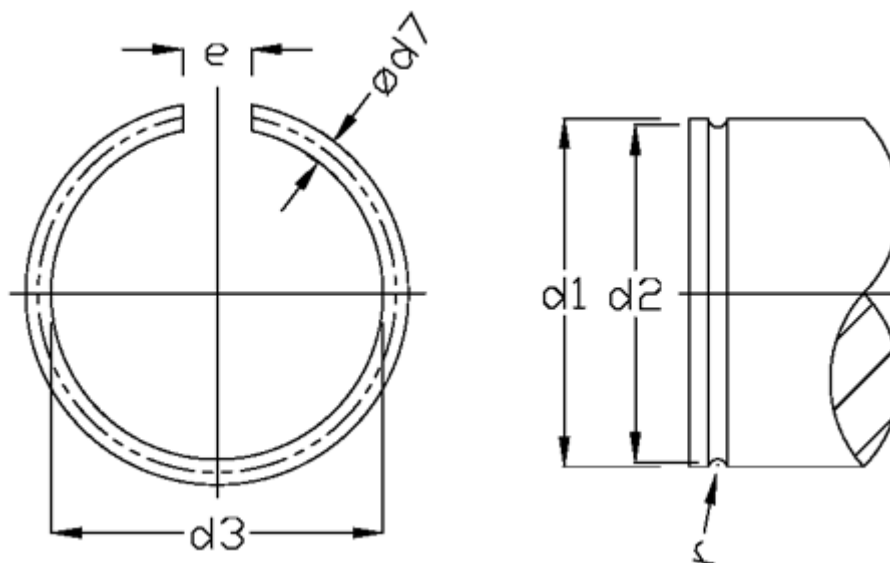


Article number: 0128090

Description: Circlip RW 85 DIN 7993

Measures



d1	= 85	tol	= 0.15
d2	= 81.8	tol	= -1.0
d3	= 81.0	Weight kg/1000 = 16.380	
d7	= 3.2		
Description	= RW 85		
e	= 5		
n abl x 1000	= 2		
r	= 1.8		